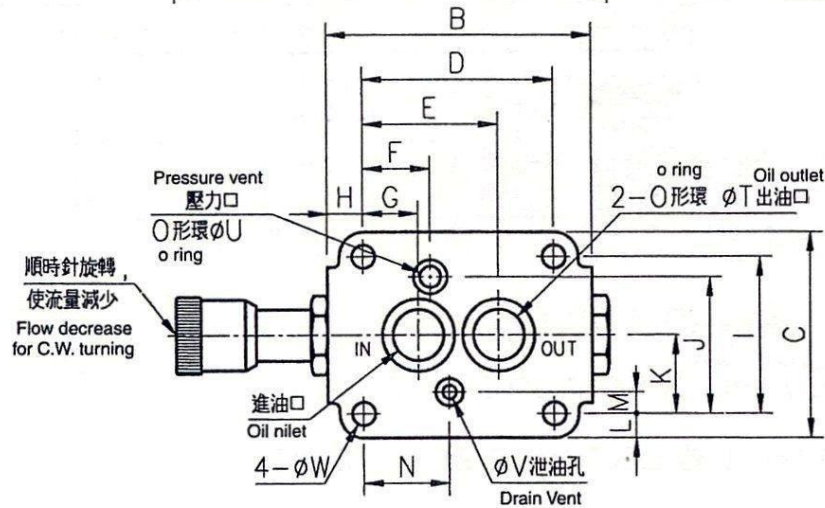


型式號碼 Model	最高使用壓力 Kg/cm ² Max. pressure	流量 L/min Flow rate	重量 Kg Wt.
SDF-06 DSG-02-2B2	210	120	7.2
SDF-10 DSG-02-2B2	210	240	10.1

型式號碼 Model	A	B	C	D	E	F	G	H	I
SDF-06 DSG-02-2B2	222	125	96	90	64	32	26	17	74
SDF-10 DSG-02-2B2	247	150	116	112	78	38	34	19	86

型式號碼 Model	J	K	L	M	N	O	P	Q	R
SDF-06 DSG-02-2B2	64	37	11	10	41	50	50	75	35
SDF-10 DSG-02-2B2	75	43	15	11	47	60	57	85	40

型式號碼 Model	S	T	U	V	W	X
SDF-06 DSG-02-2B2	8	φ24	φ16	φ6	φ11	163
SDF-10 DSG-02-2B2	8	φ29	φ16	φ6	φ13.5	173



MODEL:SDF-06&SDF-10
單位:mm Unit:mm

The set face dimensions pls. refer sub-plate SFM dimensions